

UNV HB-7199-CA-A USB HD Camera



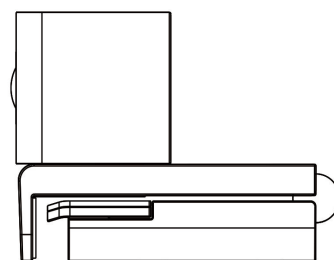
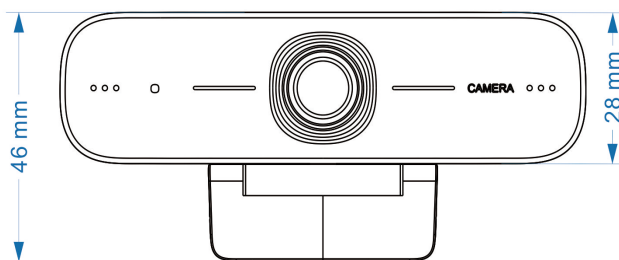
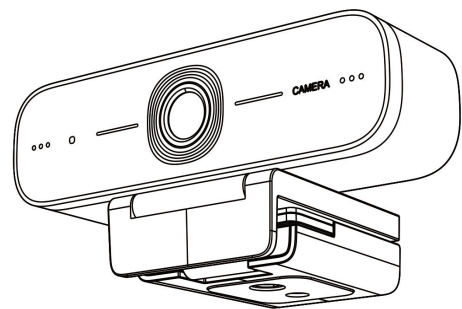
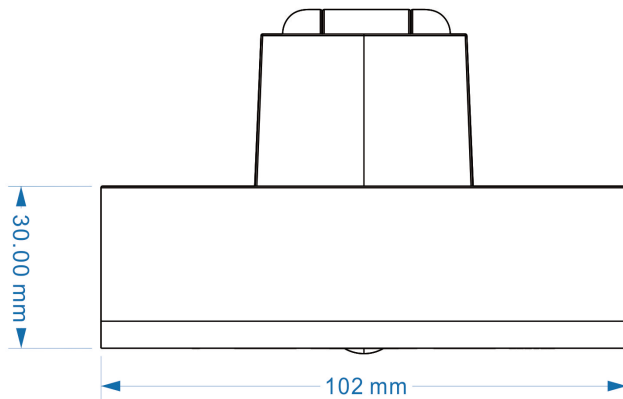
Specifications

Model	HB-7199-CA-A
Image sensor	High quality CMOS sensor
Effective pixels	2 megapixel
Video format	1920x1080/1600x896/1280x720/1024x576/960x720/960x540/912x512/864x480/800x600/800x448/640x480/640x360/624x352/480x272/432x240/424x240/384x216/368x208/320x240/320x180/272x144/160x120/P30
Camera angle	88°(D)/80°(H)/ 50°(V)
Focal length	3.24mm
Minimum illumination	0.5Lux(F1.8, AGC ON)
Focus mode	Manual
Aperture	Fixed
Inverse light contrast	Open/close
Exposure	Exposure parameters adjustable, support for automatic exposure
Video regulation	Luminance, clarity, saturation, contrast ratio, white balance, transmission gain, Anti-flicker, low brightness compensation and other parameters can be adjusted
Signal noise ratio	> 50dB
Video interface	USB 2.0
Video compression format	MJPEG、YUV2、H.264、H.265
Audio input	Built-in high sensitive pickup
Working voltage	5V
Working current	500mA
Power	2.5W
Dimension	102mm(L)×46mm(W)×30mm(H)

Weight	0.15 kg
Storage temperature	-10°C ~ +60°C
Storage humidity	20°C ~ 95°C
Working temperature	-10°C ~ +50°C
Working humidity	20°C ~ 80°C
Operating environment	Indoor
Standard	Instructions,Warranty Card

Appearance

Dimensions



LENGTH:mm

Order Information

Model	Remake
HB-7199-CA-A	USB Camera

Zhejiang Uniview Technologies Co.,Ltd.

Building No.10, Wanlun Science Park, Jiangling Road 88, Binjiang District, Hangzhou, Zhejiang, China

Email: overseasbusiness@uniview.com; globalsupport@uniview.com

<http://www.uniview.com>

©2021 Zhejiang Uniview Technologies Co.,Ltd. All rights reserved.

* Product specifications and availability are subject to change without notice.